



ECOS ELECTRIC MOTORS

In partnership with [Micro Clutch Developments Ltd](#) ECOS offer one of the most comprehensive and competitive ranges of electric motors available on the market.

Our range, combined with our unparalleled knowledge and expertise, allows us to offer the flexibility and adaptability to meet any application challenge. Our extensive stocks across multiple UK warehouses includes IE1, IE2, IE3 premium efficiency motors, single phase motors, brake motors, geared motors, and Cemp ATEX motors, with the scope and adaptability to provide a huge variety of in-house stock modifications on short lead times. Please contact our sales office for more information.

Motor Features

- :: AC 3 phase induction motors
- :: IEC aluminium frame
- :: Multi mount design 71-160 frame
- :: Removable feet 56 / 63 frame
- :: IP55 TEFC enclosure
- :: Multi voltage / frequency
- :: Insulation class F - B rise
- :: Metric cable entries
- :: PTC as standard from 132 frame
- :: Paint finish RAL 7030

TA3 & FC3 Aluminium-Cast Iron series (IE3) performance technical standard (50Hz)

2 Pole

| Type | Power KW | Eff. (%) | | | Power Factor | Speed rpm | FLC (A) | Nm | Tmax/Tn | Tmin/Tn | Ts/Tn | Ia/In | |
|-------------|-------------|----------|------|------|-----------------|--------------|---------|---------|---------|---------|-------|-------|-----------|
| | | 100% | 75% | 50% | | | 400V | | | | | | |
| TA 562-2 | 0.12 | 60.8 | 60.7 | 58.8 | 0.75 | 2800 | 0.38 | 0.41 | 2.4 | 1.8 | 2.3 | 4.5 | IE1 |
| TA 631-2 | 0.18 | 65.5 | 65.6 | 63.8 | 0.80 | 2820 | 0.50 | 0.61 | 2.4 | 1.6 | 2.3 | 5.5 | |
| TA 632-2 | 0.25 | 69.7 | 69.7 | 68.5 | 0.81 | 2820 | 0.64 | 0.85 | 2.4 | 1.6 | 2.3 | 5.5 | |
| TA 711-2 | 0.37 | 73.8 | 73.7 | 71.7 | 0.81 | 2840 | 0.89 | 1.24 | 2.4 | 1.6 | 2.3 | 6.5 | |
| TA 712-2 | 0.55 | 77.8 | 77.9 | 76.5 | 0.82 | 2840 | 1.24 | 1.85 | 2.4 | 1.6 | 2.3 | 6.5 | |
| TA3 801-2 | 0.75 | 80.7 | 80.6 | 78.8 | 0.83 | 2860 | 1.62 | 2.50 | 2.3 | 1.5 | 2.2 | 6.5 | Aluminium |
| TA3 802-2 | 1.1 | 82.7 | 82.6 | 81.3 | 0.83 | 2860 | 2.31 | 3.67 | 2.3 | 1.5 | 2.2 | 7.5 | |
| TA3 90S-2 | 1.5 | 84.2 | 83.7 | 80.7 | 0.84 | 2870 | 3.06 | 4.99 | 2.3 | 1.5 | 2.2 | 7.5 | |
| TA3 90L-2 | 2.2 | 85.9 | 85.0 | 81.5 | 0.85 | 2870 | 4.35 | 7.32 | 2.3 | 1.4 | 2.2 | 7.5 | |
| TA3 100L1-2 | 3 | 87.1 | 86.6 | 85.6 | 0.87 | 2890 | 5.71 | 9.91 | 2.3 | 1.4 | 2.2 | 8.0 | |
| TA3 100L2-2 | 4 | 88.1 | 88.2 | 86.1 | 0.88 | 2890 | 7.45 | 13.22 | 2.3 | 1.4 | 2.2 | 8.0 | |
| TA3 112M1-2 | 4 | 88.1 | 88.2 | 86.1 | 0.88 | 2900 | 7.45 | 13.17 | 2.3 | 1.4 | 2.2 | 8.0 | |
| TA3 112M2-2 | 5.5 | 89.2 | 87.9 | 83.6 | 0.88 | 2900 | 10.11 | 18.11 | 2.3 | 1.2 | 2.2 | 8.0 | |
| TA3 132S1-2 | 5.5 | 89.2 | 87.9 | 83.6 | 0.88 | 2920 | 10.11 | 17.99 | 2.3 | 1.2 | 2.2 | 8.0 | |
| TA3 132S2-2 | 7.5 | 90.1 | 89.5 | 87.3 | 0.88 | 2920 | 13.65 | 24.53 | 2.3 | 1.2 | 2.2 | 8.0 | |
| TA3 132M1-2 | 9.2 | 90.6 | 90.9 | 89.8 | 0.88 | 2920 | 16.66 | 30.09 | 2.3 | 1.2 | 2.2 | 8.0 | |
| TA3 132M3-2 | 11 | 91.2 | 91.0 | 89.4 | 0.89 | 2930 | 19.56 | 35.85 | 2.3 | 1.2 | 2.2 | 8.0 | |
| TA3 160M1-2 | 11 | 91.2 | 91.0 | 89.4 | 0.89 | 2940 | 19.56 | 35.73 | 2.3 | 1.2 | 2.2 | 8.0 | |
| TA3 160M2-2 | 15 | 91.9 | 91.7 | 89.8 | 0.89 | 2940 | 26.47 | 48.72 | 2.3 | 1.2 | 2.2 | 8.0 | |
| TA3 160L2 | 18.5 | 92.4 | 92.4 | 91.3 | 0.90 | 2940 | 32.11 | 60.09 | 2.3 | 1.1 | 2.2 | 8.0 | |
| FC3 180M-2 | 22 | 92.7 | 92.8 | 91.0 | 0.90 | 2940 | 38.06 | 71.46 | 2.3 | 1.1 | 2.0 | 7.5 | Cast Iron |
| FC3 200L1-2 | 30 | 93.0 | 92.8 | 91.1 | 0.90 | 2950 | 51.74 | 97.12 | 2.3 | 1.1 | 2.0 | 7.5 | |
| FC3 200L2-2 | 37 | 93.7 | 93.5 | 91.8 | 0.90 | 2950 | 63.33 | 119.78 | 2.3 | 1.1 | 2.0 | 7.5 | |
| FC3 225M-2 | 45 | 94.0 | 94.1 | 92.9 | 0.90 | 2970 | 76.78 | 144.70 | 2.3 | 1.0 | 2.0 | 7.5 | |
| FC3 250M-2 | 55 | 94.3 | 93.6 | 91.9 | 0.90 | 2970 | 93.54 | 176.85 | 2.3 | 1.0 | 2.0 | 7.5 | |
| FC3 280S-2 | 75 | 94.7 | 93.9 | 91.8 | 0.90 | 2970 | 127.02 | 241.16 | 2.3 | 0.9 | 2.0 | 7.5 | |
| FC3 280M-2 | 90 | 95.0 | 94.2 | 92.4 | 0.91 | 2970 | 150.27 | 289.39 | 2.3 | 0.9 | 2.0 | 7.5 | |
| FC3 315S-2 | 110 | 95.2 | 94.5 | 92.7 | 0.91 | 2980 | 183.28 | 352.52 | 2.2 | 0.9 | 1.8 | 7.1 | |
| FC3 315M-2 | 132 | 95.4 | 94.8 | 93.6 | 0.91 | 2980 | 219.47 | 423.02 | 2.2 | 0.9 | 1.8 | 7.1 | |
| FC3 315L1-2 | 160 | 95.6 | 95.1 | 93.8 | 0.92 | 2980 | 262.58 | 512.75 | 2.2 | 0.9 | 1.8 | 7.1 | |
| FC3 315L2-2 | 200 | 95.8 | 95.2 | 94.0 | 0.92 | 2980 | 327.54 | 640.94 | 2.2 | 0.8 | 1.8 | 7.1 | |
| FC3 355M-2 | 250 | 95.8 | 95.4 | 94.1 | 0.92 | 2980 | 409.43 | 801.17 | 2.2 | 0.8 | 1.6 | 7.1 | |
| FC3 355L-2 | 315 | 95.8 | 95.3 | 93.9 | 0.92 | 2980 | 515.88 | 1009.48 | 2.2 | 0.8 | 1.6 | 7.1 | |

Also Available

- :: Cast iron range 180-315 frame
- :: Brake motors, manual hand release as standard
- :: Single phase permanent capacitor
- :: Single phase capacitor start / capacitor run
- :: High output motors

TA3 & FC3 Aluminium-Cast Iron series (IE3) performance technical standard (50Hz)

| 4 Pole | | | | | | | | | | | | |
|-------------|----------|----------|------|------|--------------|-----------|---------|---------|---------|---------|-------|-------|
| Type | Power KW | Eff. (%) | | | Power Factor | Speed rpm | FLC (A) | Nm | Tmax/Tn | Tmin/Tn | Ts/Tn | Ia/In |
| | | 100% | 75% | 50% | | | 400V | | | | | |
| TA 56-4 | 0.09 | 58.5 | 58.5 | 58.0 | 0.61 | 1400 | 0.39 | 0.61 | 2.4 | 1.7 | 2.3 | 4.5 |
| TA 63-4 | 0.12 | 64.8 | 64.8 | 63.5 | 0.64 | 1400 | 0.42 | 0.82 | 2.4 | 1.7 | 2.3 | 4.5 |
| TA 63-4 | 0.18 | 69.9 | 69.8 | 68.7 | 0.65 | 1400 | 0.57 | 1.23 | 2.4 | 1.7 | 2.3 | 4.5 |
| TA 711-4 | 0.25 | 73.5 | 73.6 | 72.1 | 0.72 | 1410 | 0.68 | 1.69 | 2.4 | 1.7 | 2.3 | 4.5 |
| TA 712-4 | 0.37 | 77.3 | 77.4 | 75.8 | 0.74 | 1410 | 0.93 | 2.51 | 2.4 | 1.7 | 2.3 | 6.0 |
| TA 801-4 | 0.55 | 80.8 | 80.7 | 78.8 | 0.75 | 1420 | 1.31 | 3.70 | 2.4 | 1.7 | 2.3 | 6.0 |
| TA3 802-4 | 0.75 | 82.5 | 82.6 | 80.3 | 0.76 | 1420 | 1.73 | 5.04 | 2.3 | 1.6 | 2.2 | 6.5 |
| TA3 803-4 | 1.1 | 84.1 | 84.2 | 81.8 | 0.77 | 1420 | 2.45 | 7.40 | 2.3 | 1.6 | 2.2 | 6.5 |
| TA3 90S-4 | 1.1 | 84.1 | 84.2 | 81.8 | 0.77 | 1430 | 2.45 | 7.35 | 2.3 | 1.6 | 2.2 | 6.5 |
| TA3 90L-4 | 1.5 | 85.3 | 85.4 | 82.5 | 0.79 | 1430 | 3.21 | 10.02 | 2.3 | 1.6 | 2.2 | 6.5 |
| TA3 100L1-4 | 2.2 | 86.7 | 86.9 | 84.3 | 0.81 | 1440 | 4.52 | 14.59 | 2.3 | 1.5 | 2.2 | 7.5 |
| TA3 100L2-4 | 3 | 87.7 | 87.9 | 86.0 | 0.82 | 1440 | 6.02 | 19.90 | 2.3 | 1.5 | 2.2 | 7.5 |
| TA3 112M1-4 | 4 | 88.6 | 87.8 | 83.9 | 0.82 | 1440 | 7.95 | 26.53 | 2.3 | 1.5 | 2.2 | 7.5 |
| TA3 112M2-4 | 5.5 | 89.6 | 88.8 | 84.8 | 0.83 | 1440 | 10.68 | 36.48 | 2.3 | 1.4 | 2.2 | 7.5 |
| TA3 132S-4 | 5.5 | 89.6 | 88.8 | 84.8 | 0.83 | 1450 | 10.68 | 36.22 | 2.3 | 1.4 | 2.2 | 7.5 |
| TA3 132M1-4 | 7.5 | 90.4 | 90.8 | 89.8 | 0.84 | 1450 | 14.26 | 49.40 | 2.3 | 1.4 | 2.2 | 7.5 |
| TA3 132M2-4 | 9.2 | 90.9 | 90.5 | 87.8 | 0.84 | 1450 | 17.39 | 60.59 | 2.3 | 1.4 | 2.2 | 7.5 |
| TA3 132M4-4 | 11 | 91.4 | 92.3 | 91.7 | 0.84 | 1460 | 20.68 | 71.95 | 2.3 | 1.4 | 2.2 | 7.5 |
| TA3 160M-4 | 11 | 91.4 | 92.3 | 91.7 | 0.84 | 1460 | 20.68 | 71.95 | 2.3 | 1.4 | 2.2 | 7.5 |
| TA3 160L-4 | 15 | 92.1 | 92.2 | 91.9 | 0.85 | 1460 | 27.66 | 98.12 | 2.3 | 1.4 | 2.2 | 8.0 |
| FC3 180M-4 | 18.5 | 92.6 | 92.4 | 91.2 | 0.86 | 1460 | 33.53 | 121.01 | 2.3 | 1.2 | 2.2 | 7.5 |
| FC3 180L-4 | 22 | 93.0 | 92.8 | 91.1 | 0.86 | 1460 | 39.70 | 143.90 | 2.3 | 1.2 | 2.2 | 7.5 |
| FC3 200L-4 | 30 | 93.6 | 93.7 | 92.9 | 0.86 | 1470 | 53.79 | 194.90 | 2.3 | 1.2 | 2.2 | 7.2 |
| FC3 225S-4 | 37 | 93.9 | 94.0 | 93.1 | 0.87 | 1470 | 65.37 | 240.37 | 2.3 | 1.2 | 2.2 | 7.2 |
| FC3 225M-4 | 45 | 94.2 | 94.1 | 92.6 | 0.87 | 1470 | 79.26 | 292.35 | 2.3 | 1.1 | 2.2 | 7.2 |
| FC3 250M-4 | 55 | 94.6 | 94.9 | 94.1 | 0.87 | 1470 | 96.46 | 357.31 | 2.3 | 1.1 | 2.2 | 7.2 |
| FC3 280S-4 | 75 | 95.0 | 94.2 | 92.4 | 0.87 | 1480 | 130.98 | 483.95 | 2.3 | 1.0 | 2.2 | 7.2 |
| FC3 280M-4 | 90 | 95.2 | 94.5 | 92.7 | 0.87 | 1480 | 156.85 | 580.74 | 2.3 | 1.0 | 2.2 | 7.2 |
| FC3 315S-4 | 110 | 95.4 | 95.5 | 93.2 | 0.88 | 1480 | 189.13 | 709.80 | 2.2 | 1.0 | 2.1 | 6.9 |
| FC3 315M-4 | 132 | 95.6 | 95.6 | 93.5 | 0.88 | 1480 | 226.48 | 851.76 | 2.2 | 1.0 | 2.1 | 6.9 |
| FC3 315L1-4 | 160 | 95.8 | 95.5 | 94.0 | 0.89 | 1480 | 270.87 | 1032.43 | 2.2 | 1.0 | 2.1 | 6.9 |
| FC3 315L2-4 | 200 | 96.0 | 95.8 | 94.1 | 0.89 | 1480 | 337.88 | 1290.54 | 2.2 | 0.9 | 2.1 | 6.9 |
| FC3 355M-4 | 250 | 96.0 | 95.8 | 94.0 | 0.90 | 1480 | 417.66 | 1613.18 | 2.2 | 0.9 | 2.1 | 6.9 |
| FC3 355L-4 | 315 | 96.0 | 95.8 | 94.2 | 0.90 | 1480 | 526.25 | 2032.60 | 2.2 | 0.8 | 2.1 | 6.9 |

IE1

Aluminium

Cast Iron

TA3 & FC3 Aluminium-Cast Iron series (IE3) performance technical standard (50Hz)

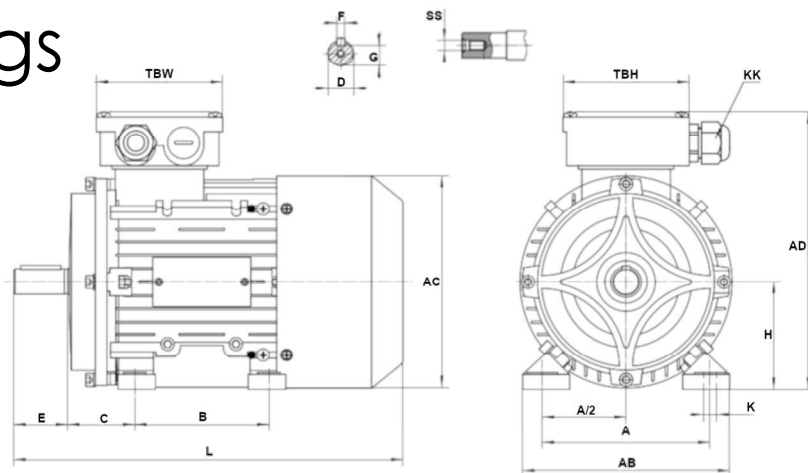
6 Pole

| Type | Power KW | Eff. (%) | | | Power Factor | Speed rpm | FLC (A) | Nm | Tmax/Tn | Tmin/Tn | Ts/Tn | Ia/In | |
|-------------|----------|----------|------|------|--------------|-----------|---------|---------|---------|---------|-------|-------|-----------|
| | | 100% | 75% | 50% | | | 400V | | | | | | |
| TA632-6 | 0.12 | 57.7 | 57.7 | 55.8 | 0.64 | 900 | 0.47 | 1.27 | 2.3 | 1.5 | 2.2 | 4.5 | IE1 |
| TA711-6 | 0.18 | 63.9 | 63.8 | 62.1 | 0.66 | 910 | 0.62 | 1.89 | 2.3 | 1.5 | 2.2 | 4.5 | |
| TA 712-6 | 0.25 | 68.6 | 68.5 | 66.8 | 0.68 | 910 | 0.77 | 2.62 | 2.3 | 1.5 | 2.2 | 4.5 | |
| TA 801-6 | 0.37 | 73.5 | 73.6 | 72.5 | 0.70 | 920 | 1.04 | 3.84 | 2.3 | 1.5 | 2.2 | 5.5 | |
| TA 802-6 | 0.55 | 77.2 | 77.3 | 76.2 | 0.72 | 920 | 1.43 | 5.71 | 2.3 | 1.5 | 2.2 | 5.5 | |
| TA3 90S-6 | 0.75 | 78.9 | 78.2 | 74.4 | 0.72 | 930 | 1.91 | 7.70 | 2.2 | 1.5 | 2.0 | 6.0 | Aluminium |
| TA3 90L-6 | 1.1 | 81.0 | 80.5 | 76.8 | 0.73 | 930 | 2.69 | 11.30 | 2.2 | 1.3 | 2.0 | 6.0 | |
| TA3 100L-6 | 1.5 | 82.5 | 81.9 | 78.9 | 0.75 | 940 | 3.50 | 15.24 | 2.2 | 1.3 | 2.0 | 6.0 | |
| TA3 112M1-6 | 2.2 | 84.3 | 84.2 | 81.1 | 0.76 | 950 | 4.96 | 22.12 | 2.2 | 1.3 | 2.0 | 7.0 | |
| TA3 112M2-6 | 3 | 85.6 | 85.4 | 82.6 | 0.76 | 950 | 6.66 | 30.16 | 2.2 | 1.3 | 2.1 | 7.0 | |
| TA3 132S-6 | 3 | 85.6 | 85.4 | 82.6 | 0.76 | 960 | 6.66 | 29.84 | 2.2 | 1.3 | 2.1 | 7.0 | |
| TA3 132M1-6 | 4 | 86.8 | 86.3 | 83.6 | 0.76 | 960 | 8.75 | 39.79 | 2.2 | 1.3 | 2.1 | 7.0 | |
| TA3 132M2-6 | 5.5 | 88.0 | 87.5 | 84.8 | 0.77 | 960 | 11.72 | 54.71 | 2.2 | 1.3 | 2.1 | 7.0 | |
| TA3 160M-6 | 7.5 | 89.1 | 87.8 | 83.6 | 0.77 | 970 | 15.78 | 73.84 | 2.2 | 1.3 | 2.1 | 7.0 | |
| TA3 160L-6 | 11 | 90.3 | 90.8 | 89.8 | 0.78 | 970 | 22.54 | 108.30 | 2.2 | 1.2 | 2.1 | 7.0 | |
| FC3 180L-6 | 15 | 91.2 | 91.0 | 89.4 | 0.81 | 950 | 29.31 | 150.79 | 2.1 | 1.2 | 2.0 | 7.0 | Cast Iron |
| FC3 200L1-6 | 18.5 | 91.7 | 91.5 | 89.2 | 0.81 | 950 | 35.95 | 185.97 | 2.1 | 1.2 | 2.1 | 7.0 | |
| FC3 200L2-6 | 22 | 92.2 | 92.3 | 91.7 | 0.83 | 950 | 41.50 | 221.16 | 2.1 | 1.2 | 2.1 | 7.0 | |
| FC3 225M-6 | 30 | 92.9 | 93.1 | 91.6 | 0.84 | 960 | 55.49 | 298.44 | 2.1 | 1.2 | 2.0 | 7.0 | |
| FC3 250M-6 | 37 | 93.3 | 93.4 | 92.6 | 0.86 | 960 | 66.56 | 368.07 | 2.1 | 1.2 | 2.1 | 7.0 | |
| FC3 280S-6 | 45 | 93.7 | 93.4 | 92.2 | 0.86 | 970 | 80.61 | 443.04 | 2.0 | 1.1 | 2.1 | 7.0 | |
| FC3 280M-6 | 55 | 94.1 | 93.7 | 92.4 | 0.86 | 970 | 98.10 | 541.49 | 2.0 | 1.1 | 2.1 | 7.0 | |
| FC3 315S-6 | 75 | 94.6 | 94.6 | 92.8 | 0.86 | 980 | 133.06 | 730.87 | 2.0 | 1.0 | 2.0 | 7.0 | |
| FC3 315M-6 | 90 | 94.9 | 95.0 | 93.2 | 0.86 | 980 | 159.17 | 877.04 | 2.0 | 1.0 | 2.0 | 7.0 | |
| FC3 315L1-6 | 110 | 95.1 | 95.2 | 93.4 | 0.86 | 980 | 194.14 | 1071.94 | 2.0 | 1.0 | 2.0 | 6.7 | |
| FC3 315L2-6 | 132 | 95.4 | 95.5 | 93.7 | 0.87 | 980 | 229.56 | 1286.33 | 2.0 | 1.0 | 2.0 | 6.7 | |
| FC3 355M1-6 | 160 | 95.6 | 95.6 | 93.8 | 0.88 | 980 | 274.52 | 1559.18 | 2.0 | 1.0 | 1.9 | 6.7 | |
| FC3 355M2-6 | 200 | 95.8 | 95.5 | 94.0 | 0.88 | 980 | 342.43 | 1948.98 | 2.0 | 0.9 | 1.9 | 6.7 | |
| FC3 355L-6 | 250 | 95.8 | 95.5 | 93.8 | 0.88 | 980 | 428.04 | 2436.22 | 2.0 | 0.9 | 1.9 | 6.7 | |

8 Pole (IE1)

| Type | Power KW | Eff. (%) | | | Power Factor | Speed rpm | FLC (A) | Nm | Tmax/Tn | Tmin/Tn | Ts/Tn | Ia/In | |
|------------|----------|----------|------|------|--------------|-----------|---------|-------|---------|---------|-------|-------|-----------|
| | | 100% | 75% | 50% | | | 400V | | | | | | |
| TA 71-8 | 0.12 | 50.7 | 50.6 | 48.9 | 0.59 | 660 | 0.58 | 1.74 | 2.0 | 1.3 | 1.8 | 4.0 | Aluminium |
| TA 801-8 | 0.18 | 58.7 | 58.8 | 56.8 | 0.61 | 680 | 0.73 | 2.53 | 2.0 | 1.3 | 1.8 | 4.0 | |
| TA 802-8 | 0.25 | 64.1 | 64.2 | 63.7 | 0.61 | 680 | 0.92 | 3.51 | 2.0 | 1.3 | 1.8 | 4.0 | |
| TA 90S-8 | 0.37 | 69.3 | 69.2 | 68.1 | 0.61 | 700 | 1.26 | 5.05 | 2.0 | 1.3 | 1.8 | 4.5 | |
| TA 90L-8 | 0.55 | 73.0 | 73.2 | 71.5 | 0.61 | 700 | 1.78 | 7.50 | 2.2 | 1.3 | 1.8 | 4.5 | |
| TA 100L1-8 | 0.75 | 75.0 | 75.1 | 73.8 | 0.67 | 710 | 2.15 | 10.09 | 2.2 | 1.3 | 1.8 | 4.5 | |
| TA 100L2-8 | 1.1 | 77.7 | 77.8 | 75.6 | 0.69 | 710 | 2.96 | 14.80 | 2.2 | 1.2 | 1.8 | 5.5 | |
| TA 112M-8 | 1.5 | 79.7 | 79.5 | 77.8 | 0.69 | 710 | 3.94 | 20.18 | 2.2 | 1.2 | 1.8 | 5.5 | |
| TA 132S-8 | 2.2 | 81.9 | 81.5 | 78.8 | 0.71 | 720 | 5.46 | 29.18 | 2.2 | 1.2 | 1.8 | 6.5 | |
| TA 132M-8 | 3 | 83.5 | 82.9 | 79.9 | 0.73 | 720 | 7.10 | 39.79 | 2.2 | 1.2 | 1.8 | 6.5 | |
| TA 160M1-8 | 4 | 84.8 | 84.7 | 81.8 | 0.73 | 720 | 9.33 | 53.06 | 2.2 | 1.2 | 1.9 | 6.5 | |
| TA 160M2-8 | 5.5 | 86.2 | 85.9 | 83.5 | 0.74 | 720 | 12.45 | 72.95 | 2.2 | 1.2 | 2.0 | 6.5 | |
| TA 160L-8 | 7.5 | 87.3 | 87.1 | 86.0 | 0.75 | 720 | 16.53 | 99.48 | 2.2 | 1.2 | 2.0 | 6.5 | |

Technical Drawings

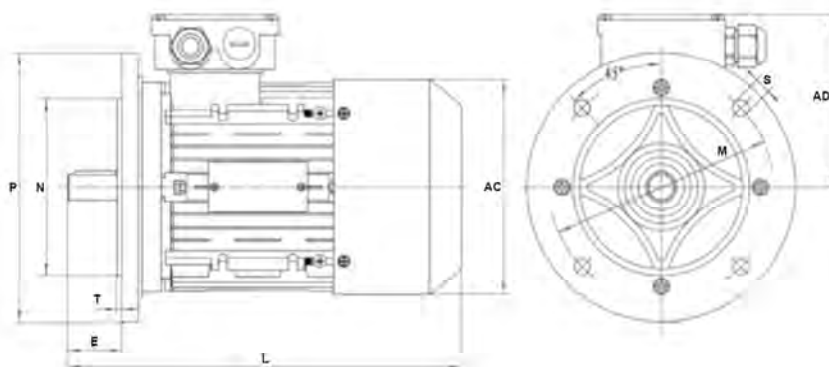


B3 Foot Mounting

| Type | A | B | C | D | E | F | G | H | K | SS | KK | TBW | TBH | AB | AC | AD | HD | L |
|------|-----|-----|-----|----|-----|----|------|-----|------|-----|---------|-----|-----|-----|-----|-----|-----|-----|
| 56 | 90 | 71 | 36 | 9 | 20 | 3 | 7.2 | 56 | 6.8 | M3 | M16x1.5 | 90 | 90 | 110 | 112 | 101 | 157 | 195 |
| 63 | 100 | 80 | 40 | 11 | 23 | 4 | 8.5 | 63 | 7 | M4 | M16x1.5 | 95 | 95 | 120 | 123 | 102 | 165 | 220 |
| 71 | 112 | 90 | 45 | 14 | 30 | 5 | 11 | 71 | 7 | M5 | M20x1.5 | 95 | 95 | 132 | 140 | 119 | 190 | 245 |
| 80 | 125 | 100 | 50 | 19 | 40 | 6 | 15.5 | 80 | 10 | M6 | M20x1.5 | 95 | 95 | 155 | 158 | 127 | 207 | 295 |
| 90S | 140 | 100 | 56 | 24 | 50 | 8 | 20 | 90 | 10 | M8 | M20x1.5 | 105 | 105 | 180 | 177 | 136 | 226 | 325 |
| 90L | 140 | 125 | 56 | 24 | 50 | 8 | 20 | 90 | 10 | M8 | M20x1.5 | 105 | 105 | 180 | 177 | 136 | 226 | 350 |
| 100L | 160 | 140 | 63 | 28 | 60 | 8 | 24 | 100 | 12 | M10 | M25x1.5 | 120 | 120 | 200 | 199 | 156 | 256 | 390 |
| 112M | 190 | 140 | 70 | 28 | 60 | 8 | 24 | 112 | 12 | M10 | M25x1.5 | 120 | 120 | 230 | 220 | 172 | 284 | 410 |
| 132S | 216 | 140 | 89 | 38 | 80 | 10 | 33 | 132 | 12 | M12 | M25x1.5 | 120 | 120 | 255 | 257 | 191 | 323 | 470 |
| 132M | 216 | 178 | 89 | 38 | 80 | 10 | 33 | 132 | 12 | M12 | M25x1.5 | 120 | 120 | 255 | 257 | 191 | 323 | 510 |
| 160M | 254 | 210 | 108 | 42 | 110 | 12 | 37 | 160 | 14.5 | M16 | M36x1.5 | 155 | 150 | 290 | 313 | 250 | 410 | 616 |
| 160L | 254 | 254 | 108 | 42 | 110 | 12 | 37 | 160 | 14.5 | M18 | M36x1.5 | 145 | 150 | 290 | 313 | 250 | 410 | 660 |

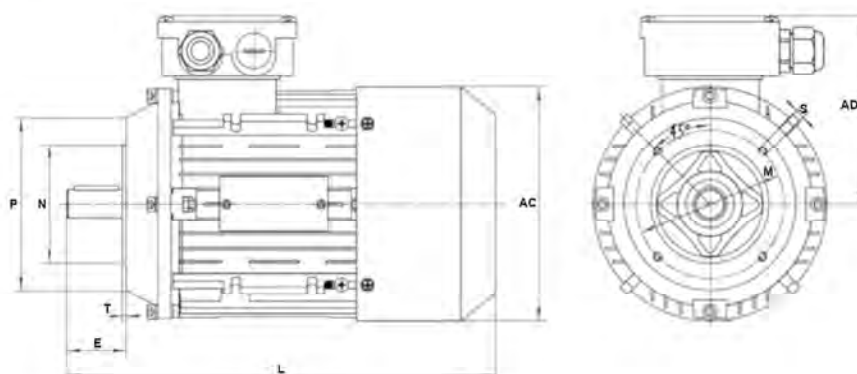
B5 Flange Mounting

| Type | M | N | P | S | T |
|------|-----|-----|-----|------|-----|
| 56 | 98 | 80 | 120 | 7 | 3 |
| 63 | 115 | 95 | 140 | 10 | 3 |
| 71 | 130 | 110 | 160 | 10 | 3.5 |
| 80 | 165 | 130 | 200 | 12 | 3.5 |
| 90S | 165 | 130 | 200 | 12 | 3.5 |
| 90L | 165 | 130 | 200 | 12 | 3.5 |
| 100L | 215 | 180 | 250 | 14.5 | 4.0 |
| 112M | 215 | 180 | 250 | 14.5 | 4.0 |
| 132S | 265 | 230 | 300 | 14.5 | 4.0 |
| 132M | 265 | 230 | 300 | 14.5 | 4.0 |
| 160M | 300 | 250 | 350 | 18.5 | 5.0 |
| 160L | 300 | 250 | 350 | 18.5 | 5.0 |



B14 Face Mounting

| Type | M | N | P | S | T |
|------|-----|-----|-----|-----|-----|
| 56 | 65 | 50 | 80 | M5 | 2.5 |
| 63 | 75 | 60 | 90 | M5 | 2.5 |
| 71 | 85 | 70 | 105 | M6 | 2.5 |
| 80 | 100 | 80 | 120 | M6 | 3.0 |
| 90S | 115 | 95 | 140 | M8 | 3.0 |
| 90L | 115 | 95 | 140 | M9 | 3.0 |
| 100L | 130 | 110 | 160 | M10 | 3.5 |
| 112M | 130 | 110 | 160 | M11 | 3.5 |
| 132S | 165 | 130 | 200 | M12 | 3.5 |
| 132M | 165 | 130 | 200 | M13 | 3.5 |



STOCK MODIFICATIONS

Same Day Delivery

Forced ventilation
IP56 / 65 enclosure
Rain canopy
Reduced end float

Three Day Delivery

PTC thermistors / PTO sensors
Anti-condensation heaters
Tropicalisation
Class H insulation

One Week Delivery

Special voltage
Special shaft
Double shaft extension
Encoder / tacho fitted

Address:

Micro Clutch Developments Ltd
Units 8 & 9 Kiln Park Industrial Estate
Searle Crescent
Weston-super-Mare
North Somerset
BS23 3XP
United Kingdom
www.microclutch.com

Tel: +44 (0)1934 415606
E: sales@microclutch.com

Address:

Micro Clutch Developments Ltd
Power Transmission House
Redcliffe Road
Mansfield
Notts
NG18 2QH
United Kingdom
www.microclutch.com

Tel: +44 (0)1623 635150
E: mansfield@microclutch.com